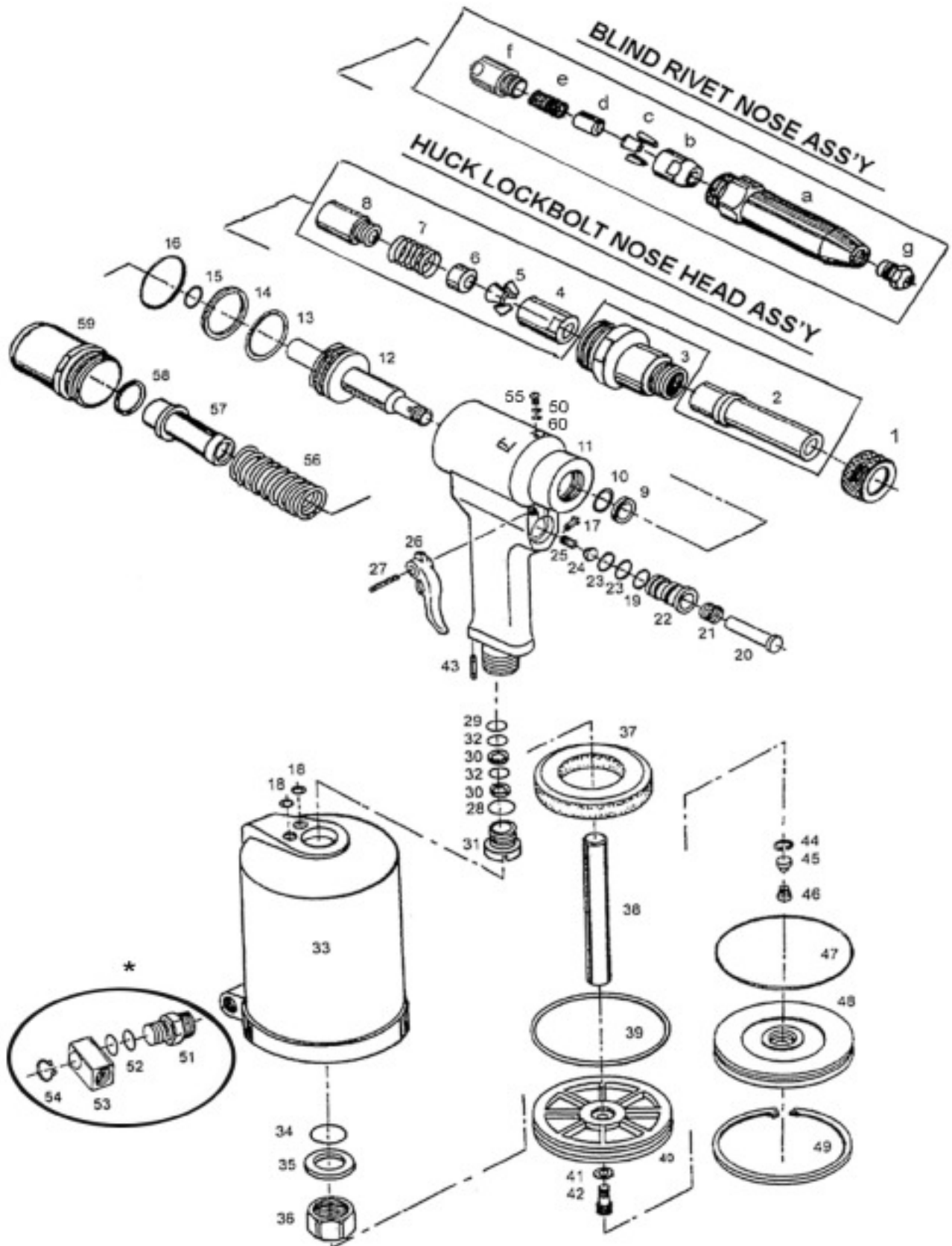


BP-82E Lockbolt All-In-One/Lockbolt Tool/Riveter



BP-82E Lockbot All-In-One/Lockbolt Tool or Riveter

INDEX NO.	PART NO.	DESCRIPTION
1	72061	Retaining Nut
3	82015L	Anvil Adaptor
9	19331	Back Up Ring Seal(2)
10	19341	O-Ring Seal (2)
11	82002	Hydraulic Section
12	18251	Hydraulic Piston
13	19330	O-Ring Seal(2)
14	19342	Back Up Ring Seal(2)
15	19369	O-Ring Seal
16	19332	O-Ring Seal
17	19320	Screw Plug
18	R5X1.5	O-Ring Seal (2)
19	10548	O-Ring Seal
20	19339	Valve Tube
21	11541	Valve Spring
22	19338	Valve Seat
23	19336	O-Ring Seal (2)
24	10442	Valve Plate
25	10544	Valve Pressure Spring
26	19304	Trigger
27	23105	Roll Pin
28	19328	O-Ring Seal
29	19327	O-Ring Seal
30	18243	Back Up Ring Seal(2)
31	18257	Hydraulic Plug
32	19329	O-Ring Seal (2)
33	82001	Air Cylinder
34	R30X3.5	O-Ring
35	19344	Washer
36	19321	Lock Nut
37	11530	Damping Ring
38	18222	Piston Rod
39	19324	O-Ring Seal
40	19334	Piston Disc
41	11526	Spring Washer
42	11527	Piston Head Lock Screw
43	76050	Roll Pin

INDEX NO.	PART NO.	DESCRIPTION
44	19314	Retaining Ring
45	19312	Rubber Plate
46	19313	Spring
47	19325	O-Ring Seal
48	19335	Cylinder Base
49	19311	Retaining Ring
50	400017A	Fill Washer
51	02147	Air Inlet Plug
52	10548	O-Ring Seal(2)
53	02146	1/4"Air Inlet Fitting
54	02149	Retaining Ring
55	02171	Oil Plug
56	19353	Spring
57	19352	Guide Tube
58	193169	O-Ring Seal
59	19310	Rear Gland
60	02197	O-Ring Seal
*	021470	Universal Joint Kit
*** Accessories *** (Not Shown)		
5	82008MG	Jaw (1.4P)
*	54005	Hex. Wrench
*	54059	Hanging Ring
*	38224	Wrench(2)
*	#021470	Universal Joint Kit
Content :		
51	02147	Air Inlet Plug
52	10548	O-Ring Seal(2)
53	02146	1/4"Air Inlet Fitting
54	02149	Retaining Ring
***OPTIONAL Nose Assemblies		
*	T18290	1/4"Nose Ass'y
**	T18290MA	1/4" Nose Ass'y
*	T18190	3/16" Nose Ass'y
*	T18190MA	3/16" Nose Ass'y
*	T11790	Blind Rivet Nose Ass'y (5/32", 3/16", 1/4")

BP-82E Lockbolt All-In-One/1/4 Lockbolt-Rivet Tool

HUCK LOCKBOLT NOSE HEAD ASS'Y



T18290 1/4" NOSE ASS'Y

For *HUCK C6L Fastener
*AVDEL Avdelok

Index	Part No.	Description	US/PC
2	82016	Swaging Anvil	
4	72009	Collect	
5	72008	Jaws (1.2P)(3pcs)	
6	72007S	Follower	
7	72005	Spring	
8	82092A	Collect Coupler	

T18290MA 1/4" NOSE ASS'Y

For *HUCK Magna- Grip
*AVDEL Maxlok

Index	Part No.	Description	US/PC
2	82016MG	Swaging Anvil	
4	72009	Collect	
5	82008MG	Jaws (1.4)(3pcs)	
6	72007S	Follower	
7	72005	Spring	
8	82092A	Collect Coupler	

T18190 3/16" NOSE ASS'Y

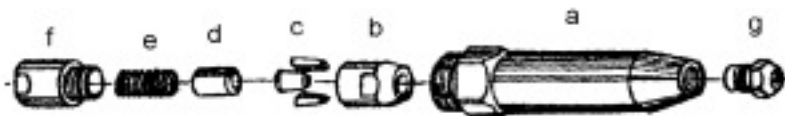
For *HUCK C6L Fastener
*AVDEL Avdelok

Index	Part No.	Description	US/PC
2	720316	Swaging Anvil	
4	72009	Collect	
5	71508	Jaws (0.8P)(3pcs)	
6	72007S	Follower	
7	72005	Spring	
8	82092A	Collect Coupler	

T18190MA 3/16" NOSE ASS'Y

For *HUCK Magna- Grip
*AVDEL Maxlok

Index	Part No.	Description	US/PC
2	720316MG	Swaging Anvil	
4	72009	Collect	
5	71508MG	Jaws (1P)(3pcs)	
6	72007S	Follower	
7	72005	Spring	
8	82092A	Collect Coupler	

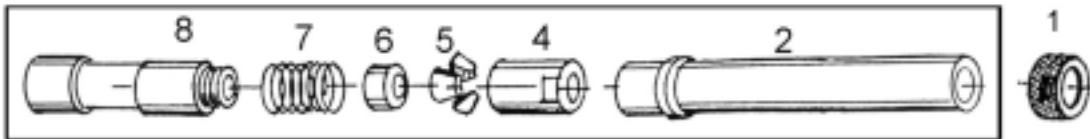


T11790 BLIND RIVET NOSE ASS'Y (5/32", 3/16" , 1/4")

Index	Part No.	Description	
a.	11715	Head	
b.	11709	Jaw Housing	
c.	11508	Jaws (3pcs)	
d.	11507	Jaw Pusher	
e.	11505	Spring	
f.	11706	Jaw Housing Coupler	
g.	11519	5/32" Nosepiece	
	11517	3/16" Nosepiece	
	11516	1/4" Nosepiece	
	11715AV	3/16" Nosepiece for *Monobolt	***Option
	11716AV	1/4" Nosepiece for *Monobolt	***Option
	11717HK	3/16" Nosepiece for Magna-Lok	***Option
	11718HK	1/4" Nosepiece for Magna-Lok	***Option

BP-82E Lockbolt All-In-One Nose Assemblies and Accessories

HUCK LOCKBOLT 6" EXTENDED NOSE HEAD ASS'Y



T18290E6 1/4" NOSE ASS'Y

for *HUCK C6L Fastener
*AVDEL Avdelok

Index	Part No.	Description
1	72061E.	Retaining Nut
2	82016E6.	Swaging Anvil
4	72009	Collect
5	72008	Jaws (1.2P)(3pcs)(sub 1pc rub jaw)
6	72007S	Follower
7	72005	Spring
8	82092AE6	Collect Coupler

T18290MAE6 1/4" NOSE ASS'Y

for *HUCK Magna- Grip
*AVDEL Maxlok

Index	Part No.	Description
1	72061E.	Retaining Nut
2	82016MGE6.	Swaging Anvil
4	72009	Collect
5	82008MG	Jaws (1.4)(3pcs)(sub 1pc jaws)
6	72007S	Follower
7	72005	Spring
8	82092AE6	Collect Coupler

T18190E6 3/16" NOSE ASS'Y

for *HUCK C6L Fastener
*AVDEL Avdelok

Index	Part No.	Description
1	72061E.	Retaining Nut
2	720316E6.	Swaging Anvil
4	72009	Collect Coupler
5	71508	Jaws (0.8P)(3pcs)(sub 1pc Jaws)
6	72007S	Follower
7	72005	Spring
8	82092AE6	Collect Coupler

T18190MAE6 3/16" NOSE ASS'Y

for *HUCK Magna- Grip
*AVDEL Maxlok

Index	Part No.	Description
1	72061E.	Retaining Nut
2	720316MGE6	Swaging Anvil
4	72009	Collect
5	71508MG	Jaws (1P)(3pcs)(sub 1pc Jaws)
6	72007S	Follower
7	72005	Spring
8	82092AE6	Collect Coupler