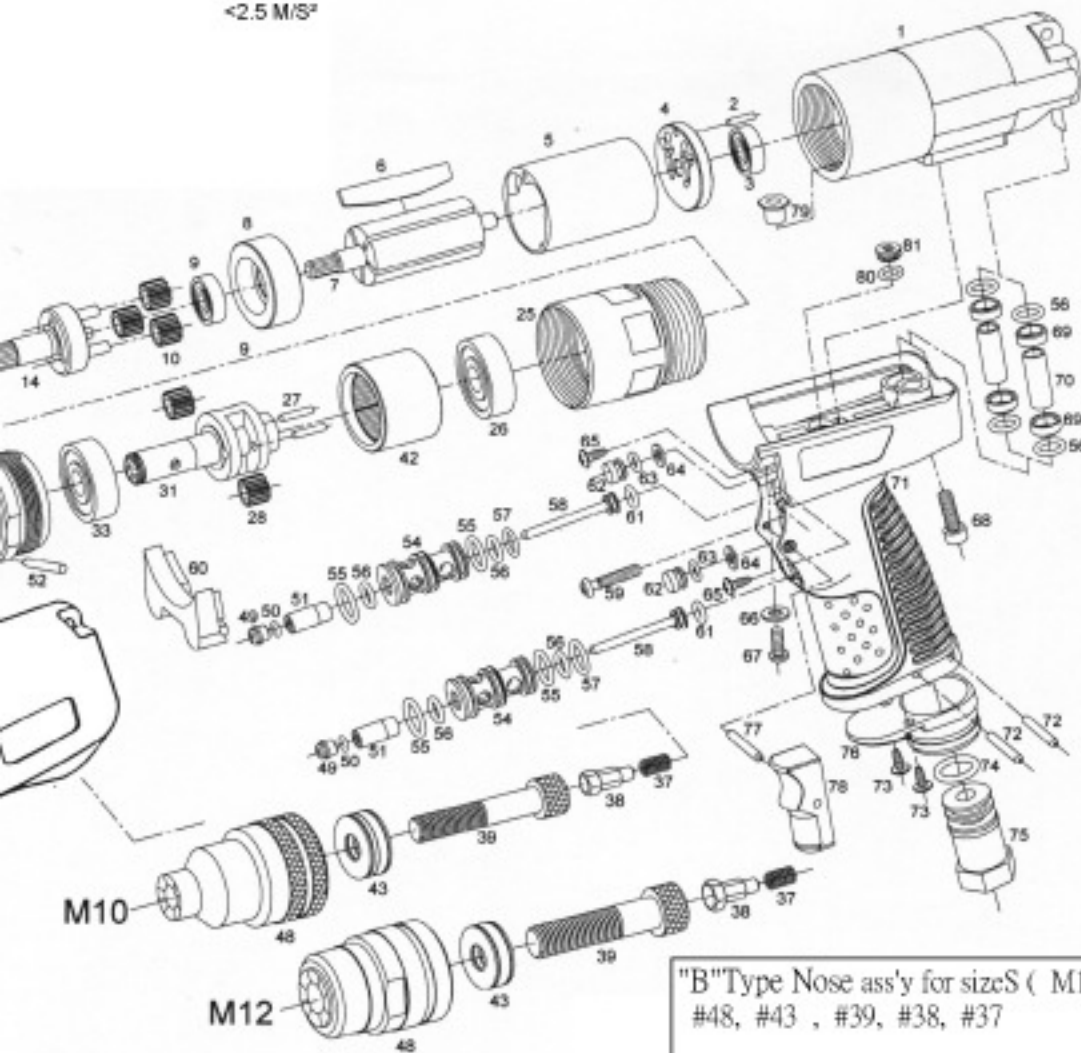


200RPM  
1.3KGS  
5 CFM  
1/4"NPTF  
3/8"  
86dBA  
<2.5 M/S<sup>2</sup>

THE FUSION OF PRODUCTION  
AND TECHNOLOGY™



11/2007A

Description	Index No.	Part No	Description	Index No.	Part No	Description
Motor Housing	39	M10015	Bolt M10	66	300W5	Washer
Spring Pin		M12175	Bolt M12	67	BSM5X12	Screw
Ball Bearing	42	35012A	Internal Gear	68	HSM5X20	Screw
Rear Plate	43	35065	Needle Bearing M10	69	30011	Bushing (4)
Cylinder		NB1226	Ball Bearing M12	70	30025	Tube (2)
Rotor Blade (6)	48	60010M	Nut Anvil M10	71	30003	Handle
Rotor (8T)		60012M	Nut Anvil M12	72	SP3X25	Roll Pin (2)
Front Plate	49	300061	Sleeve Bushing (2)	73	WS3.5X15	Screw (2)
Ball Bearing	50	R3-2X13	O-Ring(Ø3.2X1.3) (2)	74	25203	O-ring(P12X2.4)
Planet Gear(18T) (3)	51	30006	Sleeve (2)	75	30018	Air Inlet Bushing
Planet Cage(7T)	52	35029	Pin	76	30027	Diffuser Exhaust
Bushing	54	30005	Throttle Bushing (2)	77	SP2.5X20	Pin
Housing	55	R115X2	O-Ring(Ø11.5X2) (4)	78	30012	Trigger
Ball Bearing	56	R7X18	O-Ring(Ø7X1.8) (8)	79	300M5	Nut
Planet Pin (2)	57	R10X19	O-Ring(Ø10X1.9) (2)	80	R6X15	O-Ring(Ø6X1.5) (2)
Planet Gear(18T)(2)	58	30007	Valve stem (2)	81	30009	Plug (2)
Planet Cage	59	BSM5X25	Screw	***ACCESSORIES***		
Ball Bearing	61	R5X19	R5X19(Ø5X1.9) (2)	*	T1010S	Air Regulator (T1010B)
Screw Housing	62	30066	Plug (2)	*** OPTIONAL ACCESSORY ***		
Spring	63	R5X15	O-Ring(Ø5X1.5) (2)	60	30059	Rubber Cap
Hexagon Bit M10	64	R6X65X16	Washer(Ø6X6.5x1.6) (2)	82	30091	Rubber Cover for Housing
Hexagon Bit M12	65	WS3X10	Screw (2)			